



SPECIFICATION FOR APPROVAL

Customer Name:

Customer P/N:

Product Name: Electronic ballast for UV-Lamps

Model NO.: Y2A-800-150W

Supplire P/N:

Rev: A1.0

Date: 2022-12-12

Approved by Yue Jia		
Checked	Rechecked	Approved

Please send the original back to us after you have approved and signed.

Approved by customer		
Comments	Approved	Company's seal
Customeris Name:		



Electronic Ballast

www.fsyuejia.com

Y2A-800-150W

APPLICATION and PERFORMANCE SPECIFICATION



- Shell material Aluminum
- Europe type terminal structure
- Green and red led indicate operating status
- Must cut off the power before installation and replacement ballast
- Diameter of wire 0.5~0.75mm², Wire stripping 8~10mm
- No moer than 5 meters distance between the ballast and lamp
- Ballasts case must be grounded



Technical - Electrical Data	Conditions	Min	Nom	Max	Unit
Voltage Range		220	230	240	Vac
Input Frequency			50/60		Hz
Input Current				0.70@240V	A
Input Power				165	W
Power Factor	Full Load		>0.98		PF
Lamp Output Power				150	W
Lamp Output Current		0.75		0.85	A
Efficiency	Full Load		>90		%
Instant start, No preheating function					

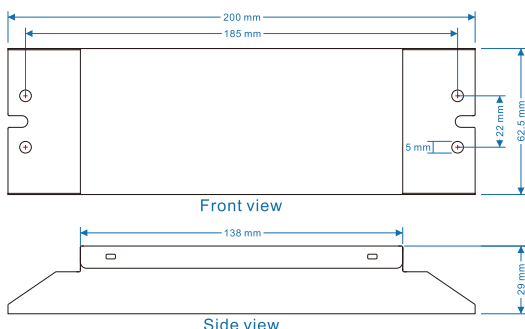
Technical - Temperatures	Conditions	Min	Nom	Max	Unit
Maximum operating temperature at the Tc				+85	°C
Ambient temperature range Ta		-25		+50	°C
Relative Humidity		5		85	%

Safety and Protection	Conditions
Protection	Overload Protection Lamp Air Leakage Protection Over Heat Protection Protection Against Moisture
Isolation Class	Class I
Isolation Voltage	1.5KV AC / 5mA / 5s
Protection Class	IP20
Warranty period	2 years

Normen und Approval	Conditions
Safety Norm	EN61347-1-2-3, EN62493
LVD Norm	Low voltage Directive 2014/35/EU
EMC Norm	EN55015, EN55014, GB17743, GB17625, EN61000-3-2
Certifications	CE RoHS

Packaging units	Conditions
Packaging units Pieces/ Unit	Shipping carton box (30pcs/CTN)
Dimensions in L x W x H	36.0cm x 21.5cm x 21.0cm
Gross weight	11.35kg
Volume	*****CBM.

Technical - Geometries



Technical - Wiring diagram

